



REFERENCE SK-WIRELESS-DAQ-AN-MV-OUT

USER GUIDE



QUICK START



PRODUCT VIDEO



## DESCRIPTION

This wireless IOT DAQ instrument starterkit includes everything you need to setup quickly your wireless monitoring application:

- Wireless Receiver/Gateway with LAN Output, IP67 casing (Ref: BeanGateway® Outdoor)
- Wireless IOT data acquisition instrument with analog voltage inputs  $\pm 20\text{mV}$  ( ref: BeanDevice® AN-mV )
- 1 x Free software to collect and display in real-time data measurement from the wireless DAQ system (Ref: BeanScape® 2.4GHZ LITE)
- AC/DC Power Adapter ( US or EUR or UK plugs) for charging the battery or to be used constantly

### MAIN FEATURES

- Analog inputs  $\pm 20\text{mV}$  (4 channels)
- Measurement precision less than  $\pm 0.025\%$  on the full scale
- Integrated sensor power supply, software configurable 4.5V to 20V (i.e. no need external power for your sensors)
- Global License-free band 2.4GHz, with maximum radio range 650 meters (can be extended to 1km with higher gain antenna)
- Waterproof and rugged IP67 aluminum casing (Nema 6)
- Time-synchronized data acquisition ( $\pm 2.5\text{ms}$  of accuracy)
- Rechargeable Lithium-Polymer battery 2200 mAh providing a battery life up to 12 months
- Embedded data logger : up to 1 million data points with events dating

Beanair products are Made in Germany and are certified CE/FCC/Giteki

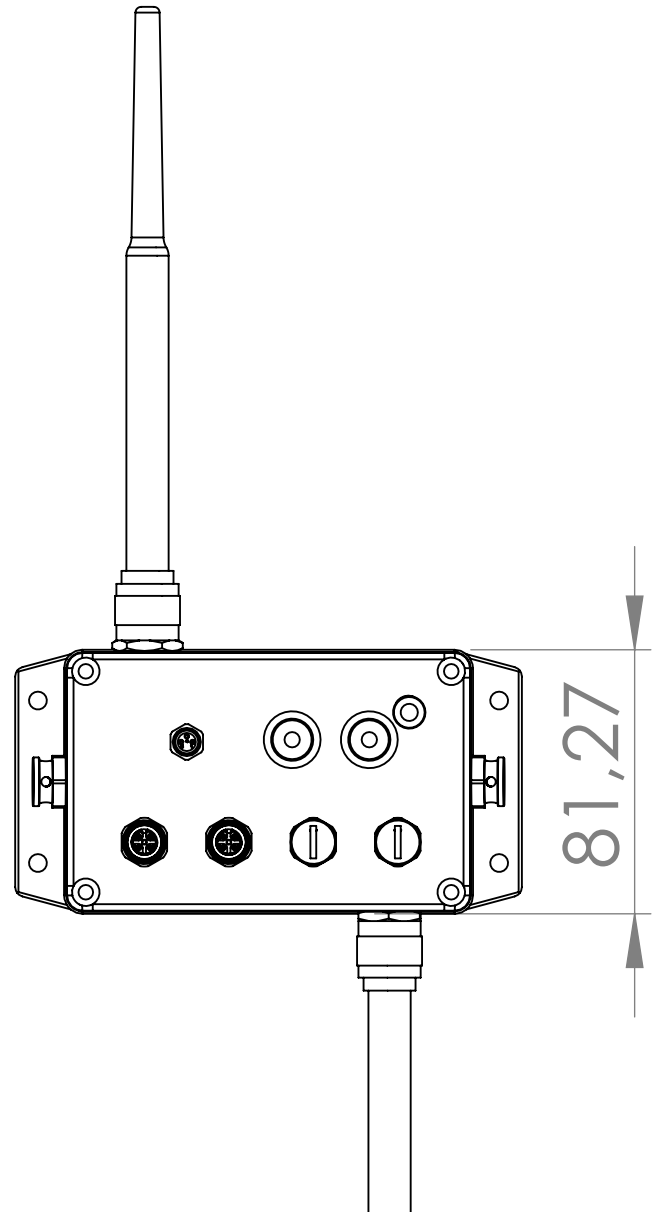
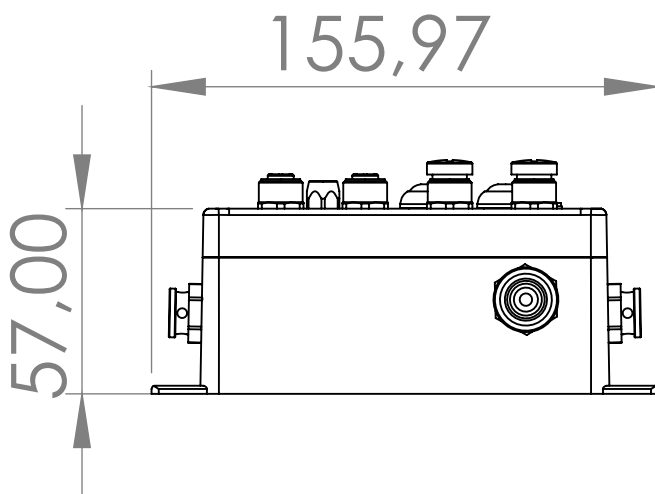
### HOW IT WORKS ?



### WEBLINKS TO PRODUCTS

- Wireless DAQ system
- Wireless Receiver/Gateway
- Eco-friendly Monitoring Software

### DRAWING



### CONTACT US

Headquarter:

Buchholzer Straße 65, 13156  
Berlin, Germany

Email:

[info@beanair.com](mailto:info@beanair.com)

Phone number:

+493066405051